

PRODUCT SHEET



Tank as seen in Mist Green

DIAMETER	4520 MM
INLET HEIGHT	3100 MM
OVERALL HEIGHT	3440 MM

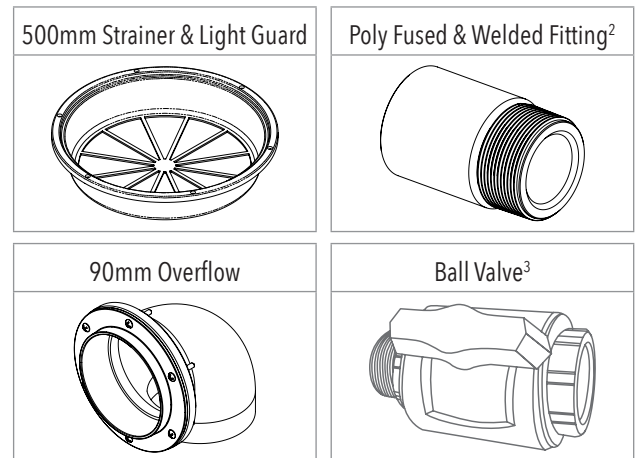
**PRODUCT CODE:
PTRNWA10200**

10,200GAL / 45,995L WATER TANK

FEATURES

- Fully self supporting roof (no internal poles or frames)
- Manufactured from proven UV stabilised Australian standard materials (tested in the field for over 25 years)
- Manufactured in computerised ovens (not open flame)
- Poly banded walls (stops wall bulging)
- Thicker walls at base (supports pressure)
- Poly fused & welded fittings (stops fitting split)
- Australian made materials (not imported)

FREE INCLUSIONS¹



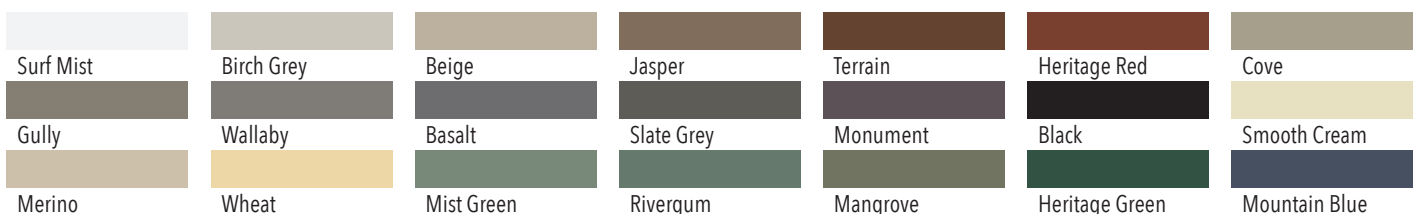
¹ Additional fittings are available on request

² Poly Fused & Welded Fitting sizes are available in 1", 1½" and 2"

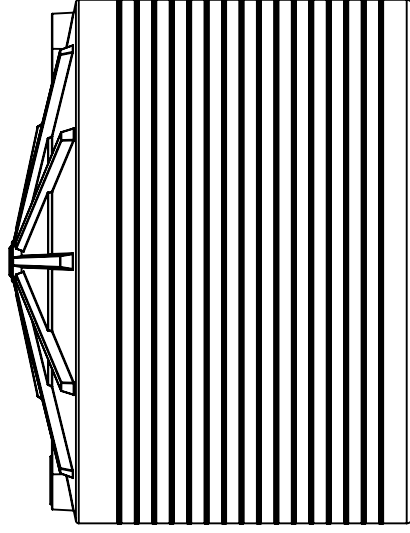
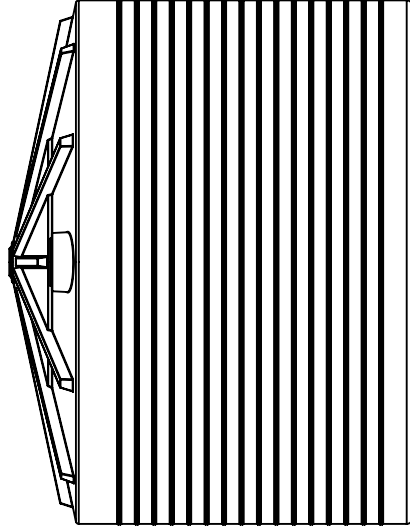
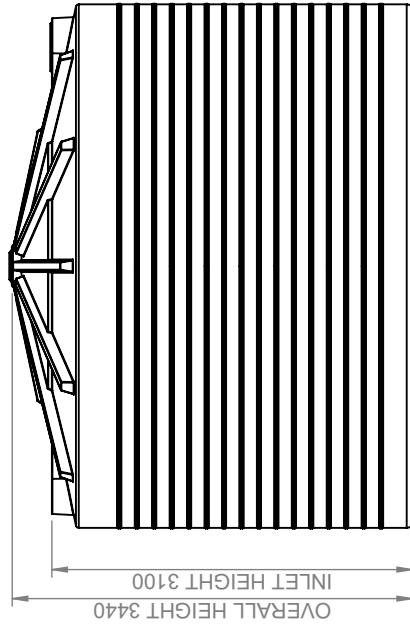
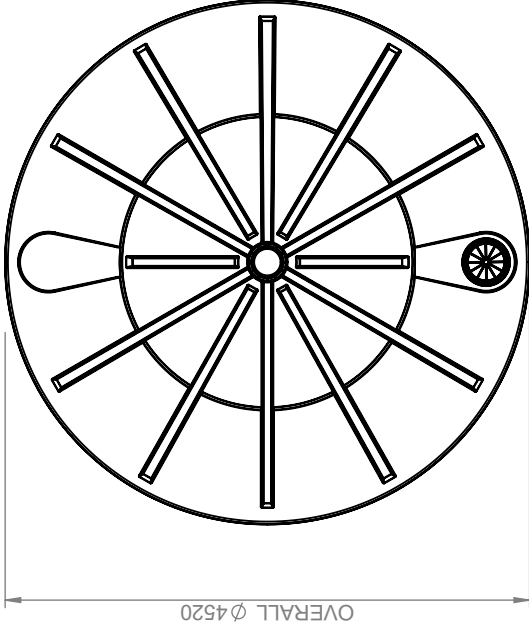
³ Ball Valve sizes are available in 1", 1½" and 2"

*Inclusions may change without notice, check with sales prior to ordering

COLOURS AVAILABLE



NB: Colours may vary due to screen and printer calibrations.



Details

Manufacturer's Name	Nu-Tank Pty Ltd
Tank Capacity	10,200 Gallon
Maximum Specific Gravity	1.0
Maximum Design Service Temperature	23°c
Standard	AS/NZS 4766



PRODUCT CODE:

PTRNWA10200

DESCRIPTION:

10,200 GAL / 45,995 L WATER TANK