

PRODUCT SHEET



Tank as seen in Heritage Red

DIAMETER	3535 MM
INLET HEIGHT	2350 MM
OVERALL HEIGHT	2810 MM

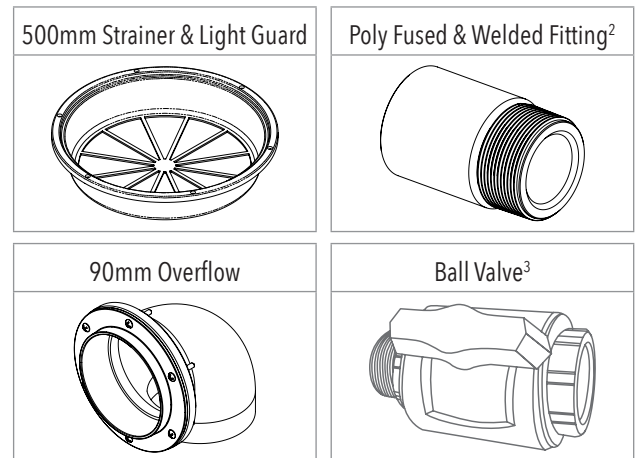
PRODUCT CODE:
PTRNWA5000

5,000GAL /22,700L WATER TANK

FEATURES

- Fully self supporting roof (no internal poles or frames)
- Manufactured from proven UV stabilised Australian standard materials (tested in the field for over 25 years)
- Manufactured in computerised ovens (not open flame)
- Ribbed sidewall (extra strength)
- Thicker walls at base (supports pressure)
- Poly fused & welded fittings (stops fitting split)
- Australian made materials (not imported)

FREE INCLUSIONS¹



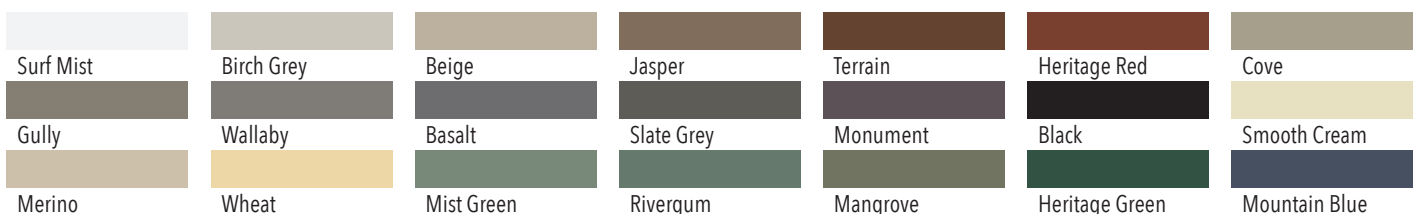
¹ Additional fittings are available on request

² Poly Fused & Welded Fitting sizes are available in 1", 1½" and 2"

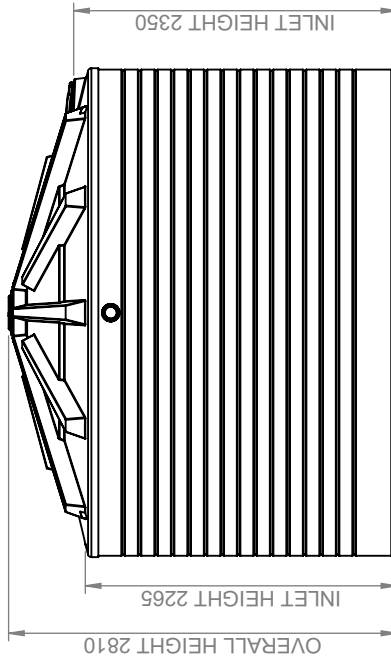
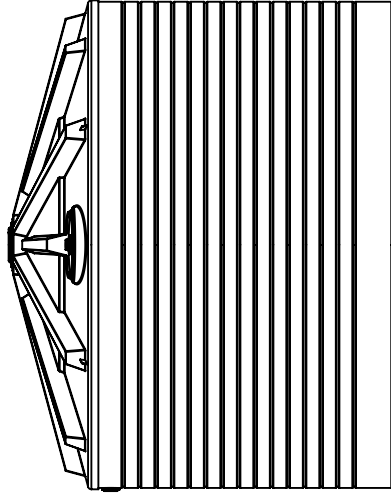
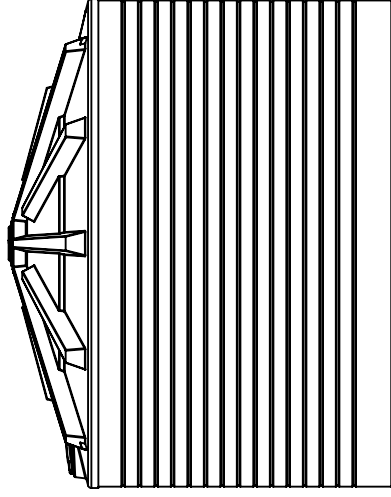
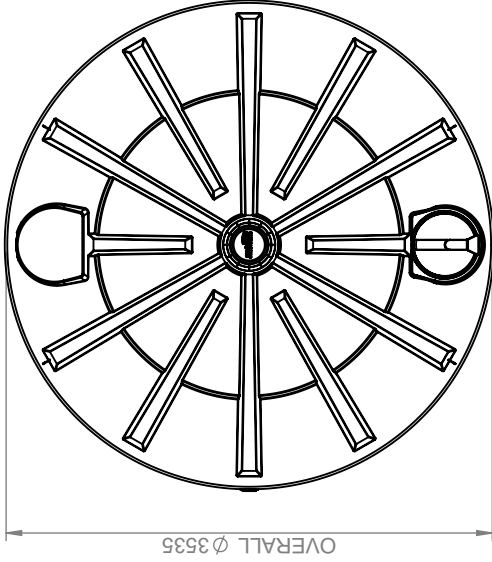
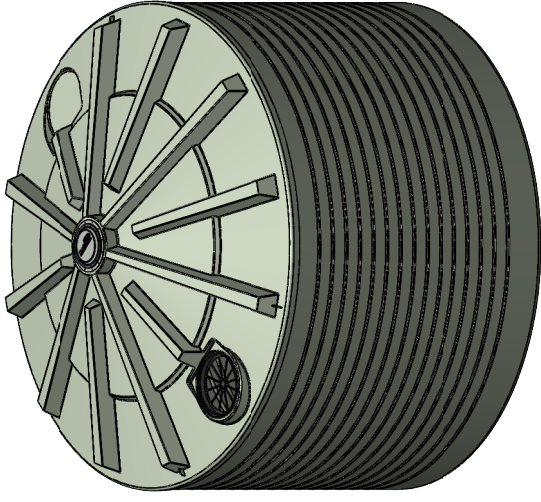
³ Ball Valve sizes are available in 1", 1½" and 2"

*Inclusions may change without notice, check with sales prior to ordering

COLOURS AVAILABLE



NB: Colours may vary due to screen and printer calibrations.



Details

Manufacturer's Name	Nu-Tank Pty Ltd
Tank Capacity	5000 Gallon
Maximum Specific Gravity	1.0
Maximum Design Service Temperature	23°C
Standard	AS/NZS 4766



PRODUCT CODE:

PTRNWA5000

DESCRIPTION:

5,000 GALLON / 22,700 LITRE WATER TANK