

PRODUCT SHEET



Tank as seen in Heritage Green

DIAMETER	3660 MM
INLET HEIGHT	2285 MM
OVERALL HEIGHT	2630 MM

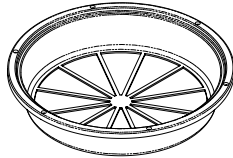
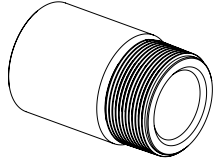
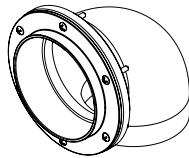
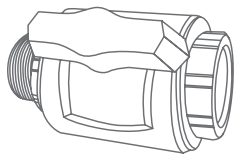
**PRODUCT CODE:
PTRNWA5500**

5,500GAL /25,000L WATER TANK

FEATURES

- Fully self supporting roof (no internal poles or frames)
- Manufactured from proven UV stabilised Australian standard materials (tested in the field for over 25 years)
- Manufactured in computerised ovens (not open flame)
- Ribbed sidewall (extra strength)
- Thicker walls at base (supports pressure)
- Poly fused & welded fittings (stops fitting split)
- Australian made materials (not imported)

FREE INCLUSIONS¹

500mm Strainer & Light Guard 	Poly Fused & Welded Fitting ² 
90mm Overflow 	Ball Valve ³ 

¹ Additional fittings are available on request

² Poly Fused & Welded Fitting sizes are available in 1", 1½" and 2"

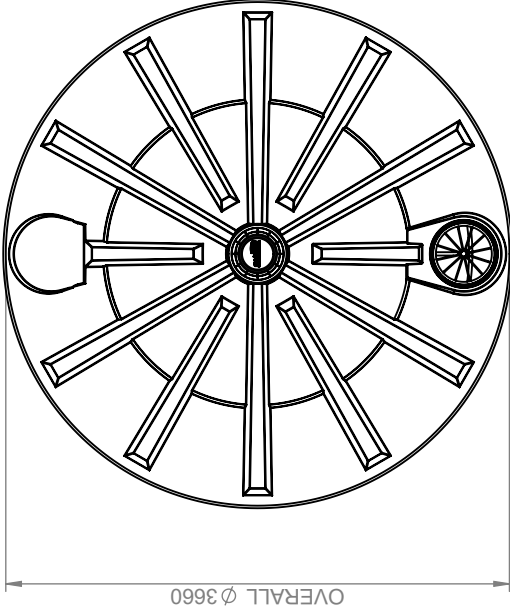
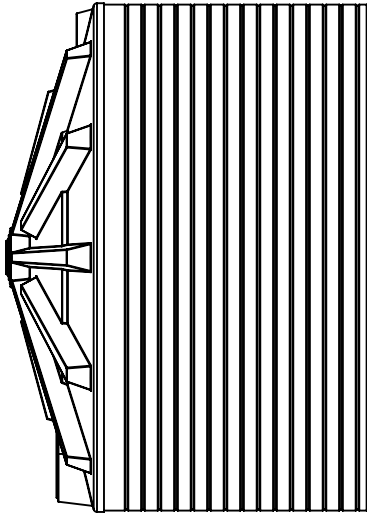
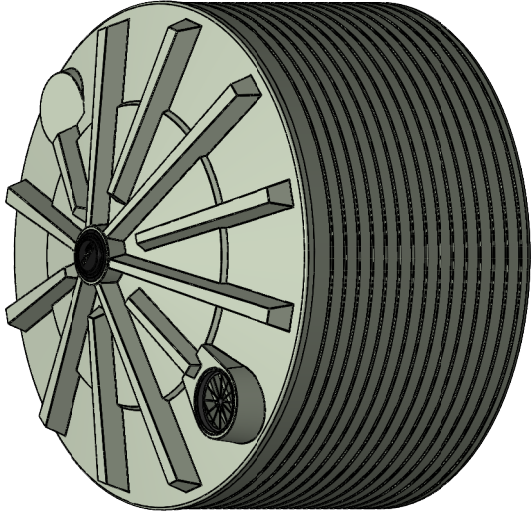
³ Ball Valve sizes are available in 1", 1½" and 2"

*Inclusions may change without notice, check with sales prior to ordering

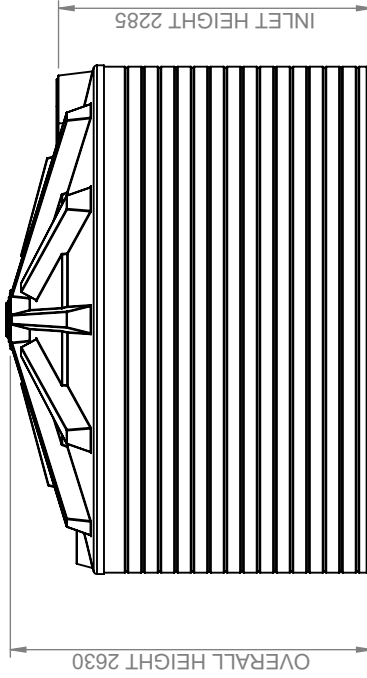
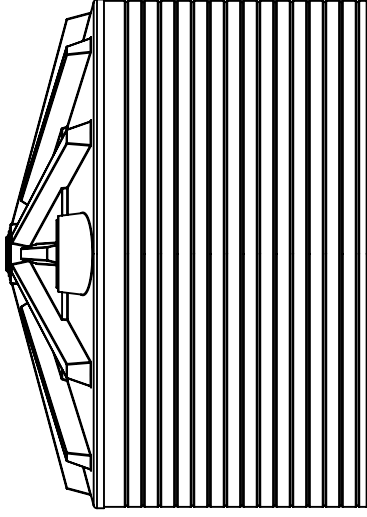
COLOURS AVAILABLE

Surf Mist	Birch Grey	Beige	Jasper	Terrain	Heritage Red	Cove
Gully	Wallaby	Basalt	Slate Grey	Monument	Black	Smooth Cream
Merino	Wheat	Mist Green	Rivergum	Mangrove	Heritage Green	Mountain Blue

NB: Colours may vary due to screen and printer calibrations.



OVERALL Ø 3660



OVERALL HEIGHT 2630

INLET HEIGHT 2285

Details

Manufacturer's Name	Nu-Tank Pty Ltd
Tank Capacity	5500 Gallon
Maximum Specific Gravity	1.0
Maximum Design Service Temperature	23°C
Standard	AS/NZS 4766



PRODUCT CODE:

PTRNWA5500

DESCRIPTION:

5,500 GALLON / 25,000 LITRE WATER TANK